

# caribbean



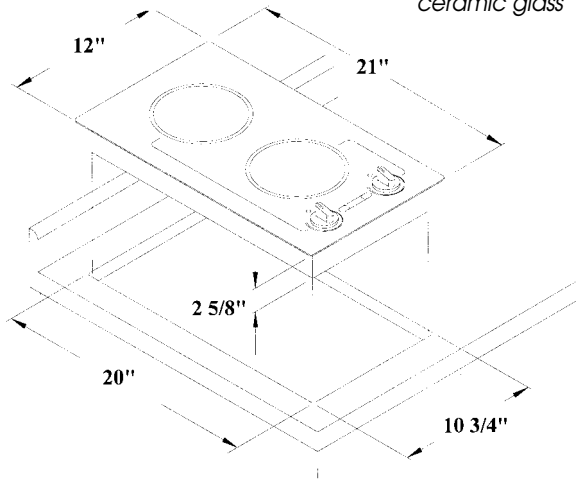
The smooth surface of the ceramic glass is a cook's delight, and a breeze to clean. The "caribbean" series culls the finest features found only in more expensive units.



**KENYON**<sup>®</sup>  
*Custom*

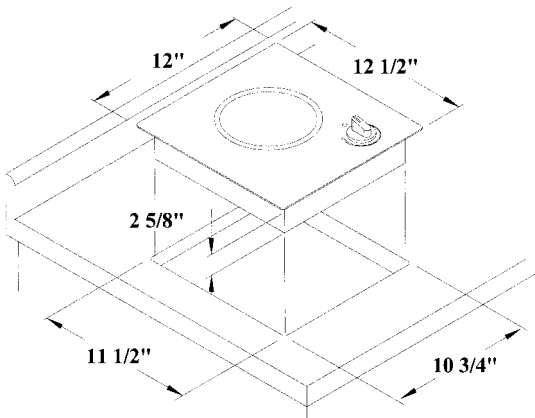
# caribbean

Smooth surface, round edged ceramic glass



## Two Burner Units

- Model B41601 120 volt – 20 amp.,  
2 – 6½" (165mm) @1200 watts each
- Model B41602 240 volt – 10 amp.,  
2 – 6½" (165 mm) @1200 watts each



## Single Burner Units

- Model B41605 120 volt – 10 amp.,  
1 – 6½" (165mm) @1200 watts
- Model B41606 240 volt – 5amp.,  
1 – 6½" (165mm) @1200 watts

**For uncomplicated quality amid the sea of selections... it's simply the Kenyon Caribbean series of ceramic glass cook tops!**

With clean graphics and effortless operation, the Caribbean elegantly combines value with virtue. Smooth clear black glass, durable, and easy to clean, with safety features uniquely Kenyon. Both one and two burner models available in 120 or 240 volts, with push-to-turn controls, infinite heat control and quick-to-heat radiant ribbon elements. Safety features include heat limiting cooking surface protectors, an *On* indicator light for each burner, and a *Hot* burner indicator light. And as all Kenyon Custom products, backed by uncompromising quality and an exclusive 3-year replacement warranty.

**KENYON**<sup>®</sup>  
*Custom*

Kenyon International  
P.O. Box 925, Clinton, CT 06413  
Tel: 860.664.4906  
Fax: 860.664.4907  
kenyonappliances.com



KENYON Custom logo, Lite-Touch, KISS, Electric KISS, Express and all related materials are trademarks of Kenyon International, Inc. ©2005 Kenyon International, Inc. All Rights Reserved. Specifications subject to change without notice. UL is a registered trademark of Underwriters Laboratory Inc. Printed in U.S.A. 9-2005