

# mediterranean



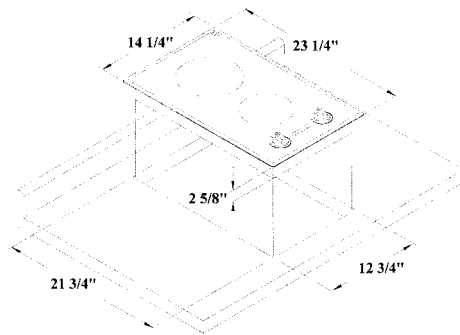
Influences of the finest galleys across the seas have produced the latest wave in cook top design, with sloped silhouettes that blend seamlessly into the countertop.



**KENYON**<sup>®</sup>  
*Custom*

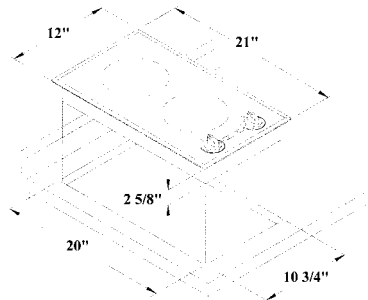
# mediterranean

Subtly textured surface, beveled edged ceramic glass



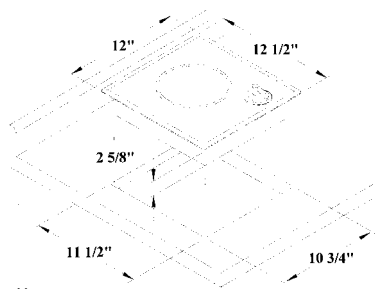
## Two Burner Units

- Model B41510 120 volt – 22 amp.,  
1 – 6½" (165mm) @1200 watts  
1 – 8" (200mm) @1400 watts
- Model B41511 240 volt –12.5 amp.,  
1 – 6½" (165mm) @1200 watts  
1 – 8" (200mm) @1800 watts



## Two Burner Trimline Units

- Model B41515 120 volt – 20 amp.,  
2 – 6½" (165mm) @1200 watts each
- Model B41516 240 volt – 10 amp.,  
2 – 6½" (165mm) @1200 watts each



## Single Burner Units

- Model B41517 120 volt –10 amp.,  
6½" (165mm) @1200 watts
- Model B41518 240 volt – 5amp.,  
6½" (165mm) @1200 watts

**From the finest yacht galleys to your home, Kenyon Mediterranean series ceramic glass cook tops are the latest wave in cook top design...**

Reintroducing the Mediterranean, a veritable sea of features with exciting new graphics. Subtly textured black glass, beveled edge design, durable, and easy to clean, with safety features uniquely Kenyon. Both one and two burner models available in 120 or 240 volts, with push-to-turn controls, infinite heat control and quick-to-heat radiant ribbon elements. Safety features include heat limiting cooking surface protectors, an *On* indicator light for each burner, and a *Hot* burner indicator light. And as all Kenyon Custom products, backed by uncompromising quality and an exclusive 3-year replacement warranty.

**KENYON**<sup>®</sup>  
*Custom*

Kenyon International  
P.O. Box 925, Clinton, CT 06413  
Tel: 860.664.4906  
Fax: 860.664.4907  
kenyonappliances.com



KENYON Custom logo, Lite-Touch, KISS, Electric KISS, Express and all related materials are trademarks of Kenyon International, Inc. ©2005 Kenyon International, Inc. All Rights Reserved. Specifications subject to change without notice. UL is a registered trademark of Underwriters Laboratory Inc. Printed in U.S.A 9-2005