



extreme environment lighting

CapriLT

SKU: 101288

Color Output: White Non Dimming

Finish: White



Since 2008 Lumitec's Capri and Caprera family have established the benchmark for quality, performance, and value in LED flood replacements for 55W halogens. With more than 1,000 integrating sphere tested lumens, the new CapriLT and CapreraLT build on that legacy and reaffirm market leadership. Developed, designed, and manufactured entirely at our R&D and production facilities in Florida, USA; the CapriLT and CapreraLT deliver exceptional reliability and class-leading performance. As with all Lumitec products, this light has been rigorously tested for shock and vibration, water ingress, impact, weatherability, electromagnetic radiation and susceptibility, and overall durability. In short, the CapriLT and CapreraLT deliver exceptional value in extreme environment LED flood lights. Compatible with most PWM LED dimmers.

Voltage: 10 - 30vDC

12vDC Amps: 1.3A

24vDC Amps: 600mA

Correlated Color Temperature: 5000

Color Rendering Index: 70+

Rated Watts: 12

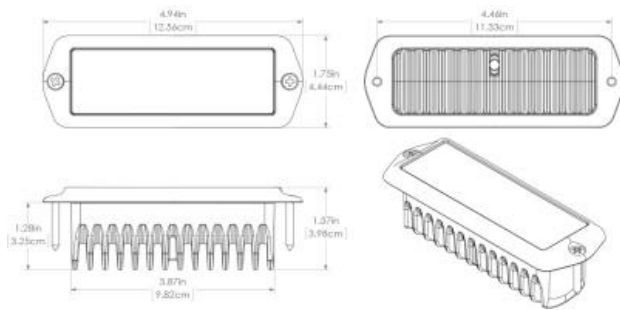
Lumens (White): 1000

Operating Temp (°C):

Operating Temp (°F):

IP67 Compliant

Certified Ignition Protected



Dimensions: 4.94in (12.55cm) (W) x 1.75in (4.45cm) (H) x 1.75in (4.45cm) (D)

**COMING
SOON**

LUMITEC

www.lumiteclighting.com | Phone: (561) 272-9840 | info@lumiteclighting.com