



extreme environment lighting

NevisLT

SKU: 101296

Color Output: White Non Dimming

Finish: Brushed



NevisLT - A high output LED alternative to large, boxy, unreliable fluorescents. With more than 1,000 integrating sphere tested lumens, the new NevisLT douses hard to light areas with a 180 degree spread of bright even light. Ignition protected and perfect for many applications like mechanical spaces or compartments. Developed, designed, and manufactured entirely at our R&D and production facilities in Florida, USA, the NevisLT delivers exceptional reliability and class-leading performance.

As with all Lumitec products, this light has been rigorously tested for shock and vibration, water ingress, impact, weatherability, electromagnetic radiation and susceptibility, and overall durability. In short, the NevisLT delivers exceptional value in an extreme environment LED flood light. Compatible with most PWM LED dimmers.

Voltage: 10 - 30vDC

12vDC Amps: 1.3A

24vDC Amps: 600mA

Correlated Color Temperature: 5000

Color Rendering Index: 70+

Rated Watts: 12

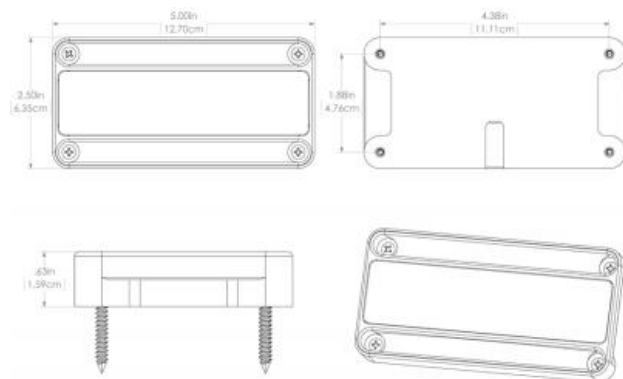
Lumens (White): 1000

Operating Temp (°C): -35 to +55 C

Operating Temp (°F): -31 to + 131 F

IP67 Compliant

Certified Ignition Protected



Dimensions: 5.00in (12.7cm) (W) x 2.5in (6.35cm) (H) x 0.63in (1.60cm) (D)

**COMING
SOON**

LUMITEC

www.lumiteclighting.com | Phone: (561) 272-9840 | info@lumiteclighting.com