



extreme environment lighting

Shadow

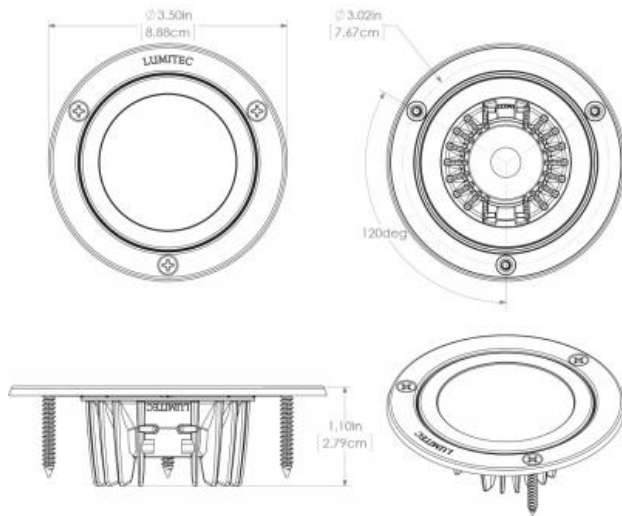
SKU: 114110

Color Output: White Non Dimming, Red Non Dimming, Blue Non Dimming, Purple Non Dimming
 Finish: Polished Stainless Steel

Shadow is versatile and tough, with incredible output greater than a 20W Halogen. Completely sealed (IP 67), Shadow is available with Lumitec's TTP technology, enabling dimming and color change with a standard 2-wire hookup and any on/off switch. Shadow is also compatible with 3rd party controllers including dimmers, flashers, and scene controllers. Choose between a wide range of available output colors and features, including dimming, color change, flashing, and synchronized flashing.



Voltage: 10-30vDC
 12vDC Amps: 490mA
 24vDC Amps: 250mA
 Correlated Color Temperature: 5000
 Color Rendering Index: 70+
 Rated Watts: 6
 Lumens (White): 372
 Operating Temp (°C): -35 to +55 C
 Operating Temp (°F): -31 to + 131 F



Dimensions: 3.50in (8.88cm) (W) x 3.50in (8.88cm) (H) x 1.10in (2.79cm) (D)

